

The Micromag HP/50 has all the same benefits of the standard Micromag but has been developed to suit high pressure through spindle-coolant applications, where the smallest of particles can damage seals, spindles and even reduce the efficiency of the cutting tool.

Micromag HP/50 can be installed anywhere in the fluid delivery system and will ensure that even sub-micron magnetic and para-magnetic particles are removed before they can cause any expensive damage.

For further information relating to the benefits and operation of the Micromag HP/50 please refer to the supplied standard Micromag brochure.

### Cleaning

Using the supplied cleaning tool, a fully contaminated core can be cleaned in under 30 seconds. Only metallic particles are removed from the filter and these can be easily disposed. There are no dirty cartridges!



### Suitable Products

Neat & soluble oils.

### Installation Location

Pre or post pump, delivery line, spindle feed or pre membrane cartridge.

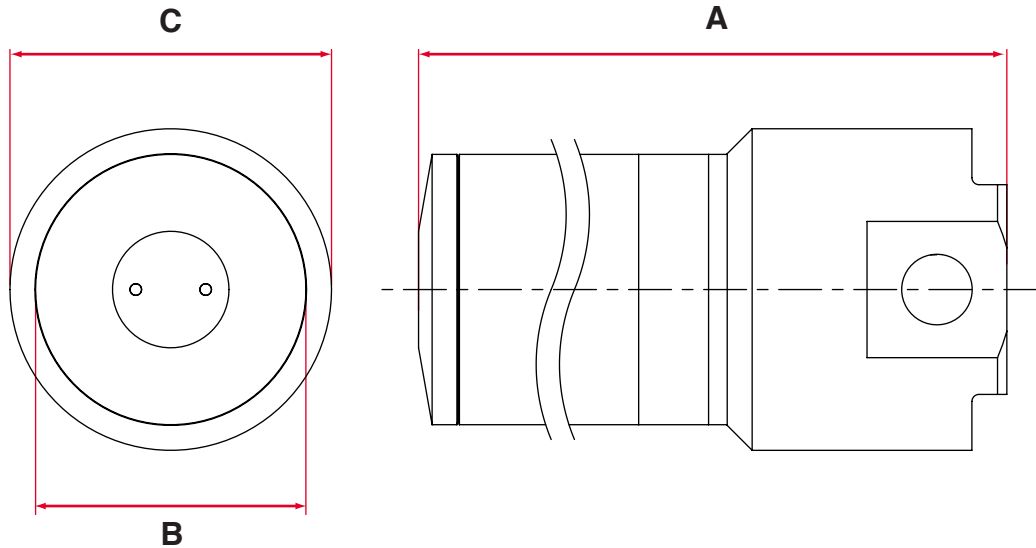
### Benefits

- High pressure
- Sub micron filtration
- Large holding capacity
- High intensity rare earth magnetic material
- Suitable for all machining applications
- Environmentally responsible
- No consumables

### Category

High Pressure.





## Product Information

Product number	Flow rate ltrs/min.	Contamination capacity kgs	Max. operating pressure bar	Connection " BSP	Temperature range °C	Weight kgs	Construction	Dimensions mm		
								A	B	C
MM5/HP/50	70	1	50	1	0 – 140	6.27	Full aluminum construction	247	116	125
MM10/HP/50	100	2	50	1	0 – 140	8.4		365	116	125
MM20/HP/50	150	4	50	1½	0 – 140	21.5		625	116	125

## Performance

<b>Maximum Pressure</b>	50 Bar
<b>Magnetic Performance:</b>	High Intensity
<b>Circuit Design:</b>	Open
<b>Magnetic Material:</b>	Rare Earth Neodymium Iron Boron
<b>Magnet Grade:</b>	N45 – Inspected & confirmed via hystergaph prior to use
<b>Temperature:</b>	0 - 140°C

## Materials

<b>Housing:</b>	Aluminium
<b>Lid:</b>	Aluminium
<b>Tube:</b>	304 Grade stainless steel
<b>Surface:</b>	Finish Machined and anodised
<b>Sealing:</b>	Viton O-ring

## Options

Core cleaning post  
Mounting bracket  
Port adaptors

If you have any more questions, require technical assistance or would like a quotation, please contact us.

[www.eclipsemagnetics.com](http://www.eclipsemagnetics.com)

### Eclipse Magnetics Ltd

Atlas Way, Sheffield, S4 7QQ, England  
**T** +44 (0)114 225 0600 **F** +44 (0)114 225 0525  
 info@eclipsemagnetics.com [www.eclipsemagnetics.com](http://www.eclipsemagnetics.com)

While every effort has been made to ensure the accuracy of the information in this publication please note that specifications may change without notice.



FM31278



A world leader in magnetic technology



A Spear & Jackson Company