





At A Glance

-  **Protection: Secondary**
-  **Feed Type: Gravity**
-  **Material Type: NdFeb**
-  **Cleaning Type: Automatic**

Our Auto-Rota Shuttle combines the benefits of our Auto-Shuttle and Rota-Grid unit in one. The Auto-Rota Shuttle enables screening of difficult bridging and or caking products 24/7 without the need for manual intervention.

The system can even carry out a full clean without the need to stop the process, thereby enabling continuous production.

The unit is supplied with a pre-programmed PLC that can either work independently or connected to the central control rooms system for remote activation or monitoring etc. The full system remains air tight throughout normal operation making it suitable for environments where ATEX equipment is required.



Benefits

- Reduces 'spark' risk
- Fully autonomous in operation
- Suitable for control room connection
- Removes sub-micron sized contaminants

Performance

Magnetic Performance	7000, 9000 and 10000 Gauss
Performance Reading	On tube surface
Magnet Grade	N35 & N45 – Inspected and confirmed via hysteresograph prior to use
Temperature	-5°C / +40°C
Pressure	+ / - 0.2 Bar

Suitability

Suitable Products	Dry and semi-dry powders and granulates
Suitable Location	Any vertical process line

Materials

Magnetic Material	Rare Earth Neodymium Iron Boron - (NdFeb)
Housing	316 grade stainless steel
Tubing	316 grade stainless steel
Other Parts	316 grade stainless steel
Sealing	Self adhered white foam
Surface Finish	Brushed internally / Polished externally to 1.2µm

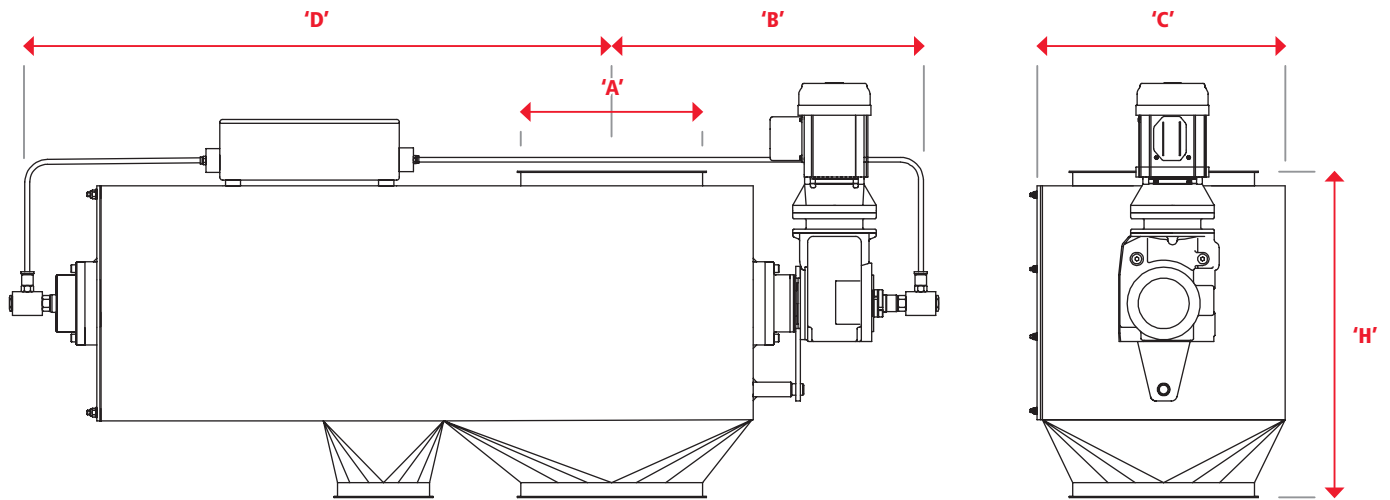
Cleaning

The contamination follows the core, first through the product return chamber, which prevents loss of good product, and into the cleaning chamber, where the collected contamination is deposited. The cleaning chamber is fitted with a transition piece, which allows a collection container to be fitted. This container is removed to assess the collected contamination.

Options

- Pharmaceutical specification
- Flanged to suit
- Metal detectable seals
- Siemens, Mitsubishi or Allen Bradley PLC

Auto-Rota Shuttle



Part Number (Round)	Inlet / Outlet A (mm)	B (mm)	C (mm)	D (mm)	H (mm)	kW Rating	Number Of Rods	Weight (kg)
ASRG150	150	475	250	815	400	0.18	5	90
ASRG200	200	500	300	915	450	0.18	6	105
ASRG250	250	525	350	1015	500	0.18	7	120
ASRG300	300	550	400	1115	550	0.18	9	135
ASRG350	350	575	450	1215	600	0.25	10	150
ASRG400	400	600	500	1315	650	0.25	13	165
ASRG450	450	625	550	1415	700	0.25	15	180

Part Number (Square)	Inlet / Outlet A (mm)	B (mm)	C (mm)	D (mm)	H (mm)	kW Rating	Number Of Rods	Weight (kg)
ASRG1515	150 x 150	475	250	815	400	0.18	5	88
ASRG2020	200 x 200	500	300	915	450	0.18	6	100
ASRG2525	250 x 250	525	350	1015	500	0.18	7	112
ASRG3030	300 x 300	550	400	1115	550	0.18	9	126
ASRG3535	350 x 350	575	450	1215	600	0.25	10	142
ASRG4040	400 x 400	600	500	1315	650	0.25	13	155
ASRG4545	450 x 450	625	550	1415	700	0.25	15	168

For non-standard sizes, please contact sales@eclipsemagnetics.com